

SSF212X100-14G

COMPACT HORIZONTAL STAINLESS STEEL FLOATSWITCH 1/2"NPT EXTERNAL FITTING



The SSF212 series are externally mounted float switches via 1/2"NPT thread. This particular version has a G1/4 thread at the cable entry to enable attachment of a suitable junction box.

The switches can be fitted to a tank without requiring access to the inside of the tank, as they are screwed in from the outside.

The float switch can be fitted to achieve either N/O (make on rise) or N/C (make on fall) switching action by simply rotating through 180° when fitting.

Features

- Stainless Steel
- External Mount (1/2"NPT)
- N/O or N/C switching action
- Operating Temp up to 120°C
- G1/4 thread for attaching junction box

SPECIFICATIONS

Technical

Mounting Style	External
Mounting Thread	1/2"NPT
Float/Stem Material	316/304 grade
Maximum Temperature	120°C
Maximum Pressure	10 bar
Float SG	0.7
Minimum Fluid SG	0.75
Cable Length - Standard	100cm
Cable Size	17/0.10 - AWG22
Cable Conductor Material	Tinned copper
Cable Sheath Material	XLPE
Cable Temperature Rating	125°C
Sealing Gasket	N/A
Tightening Torque for Fixing Nut	2.0kg/cm

Electrical

Contact Form		N/O or N/C
Switching Power Max	VA	50
Switching Current Max	A	0.5
Switching Voltage Max AC	V	300
Switching Voltage Max DC	V	350

All ratings are for resistive load only.



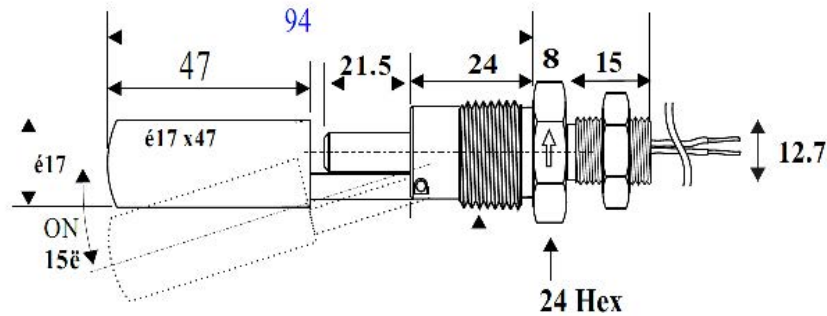
STANDARD PARTS

	Leadouts
SSF212X100-14G	100cm XLPE wires



DIMENSIONS

All dimensions are in millimeters.



Made in the UK

Page 2

Datasheets provided by Sensata Technologies, Inc., its subsidiaries and/or affiliates ("Sensata") are solely intended to assist third parties ("Buyers") who are developing systems that incorporate Sensata products (also referred to herein as "components"). Buyer understands and agrees that Buyer remains responsible for using its independent analysis, valuation, and judgment in designing Buyer's systems and products. Sensata datasheets have been created using standard laboratory conditions and engineering practices. Sensata has not conducted any testing other than that specifically described in the published documentation for a particular datasheet. Sensata may make corrections, enhancements, improvements, and other changes to its datasheets or components without notice.

Buyers are authorized to use Sensata datasheets with the Sensata component(s) identified in each particular datasheet. HOWEVER, NO OTHER LICENSE, EXPRESS OR IMPLIED, BY ESTOPPEL OR OTHERWISE TO ANY OTHER SENSATA INTELLECTUAL PROPERTY RIGHT, AND NO LICENSE TO ANY THIRD PARTY TECHNOLOGY OR INTELLECTUAL PROPERTY RIGHT, IS GRANTED HEREIN. SENSATA DATASHEETS ARE PROVIDED "AS IS". SENSATA MAKES NO WARRANTIES OR REPRESENTATIONS WITH REGARD TO THE DATASHEETS OR USE OF THE DATASHEETS, EXPRESS, IMPLIED, OR STATUTORY, INCLUDING ACCURACY OR COMPLETENESS. SENSATA DISCLAIMS ANY WARRANTY OF TITLE AND ANY IMPLIED WARRANTIES OF MERCHANTABILITY, FITNESS FOR A PARTICULAR PURPOSE, QUIET ENJOYMENT, QUIET POSSESSION, AND NON-INFRINGEMENT OF ANY THIRD PARTY INTELLECTUAL PROPERTY RIGHTS WITH REGARD TO SENSATA DATASHEETS OR USE THEREOF.

All products are sold subject to Sensata's terms and conditions of sale supplied at www.sensata.com. SENSATA ASSUMES NO LIABILITY FOR APPLICATIONS ASSISTANCE OR THE DESIGN OF BUYERS' PRODUCTS. BUYER ACKNOWLEDGES AND AGREES THAT IT IS SOLELY RESPONSIBLE FOR COMPLIANCE WITH ALL LEGAL, REGULATORY, AND SAFETY-RELATED REQUIREMENTS CONCERNING ITS PRODUCTS, AND ANY USE OF SENSATA COMPONENTS IN ITS APPLICATIONS, NOTWITHSTANDING ANY APPLICATIONS-RELATED INFORMATION OR SUPPORT THAT MAY BE PROVIDED BY SENSATA.

Mailing Address: Sensata Technologies, Inc., 529 Pleasant Street, Attleboro, MA 02703, USA

CONTACT US

+44 (0)1202 897969
 support@sensata.com
 Cynergy3 Components Ltd.
 7 Cobham Road,
 Ferndown Industrial Estate,
 Wimborne, Dorset,
 BH21 7PE, United Kingdom